

# Can Analyzer Tool

## CAT Can Analyzer Tool

**I**+ME ACTIA is the chosen exclusive supplier of the CAT by GM. The CAT stands for CAN Analyzing Tool and is a RS232 to CAN PC based port adapter to monitor and analyzes the CAN bus data on a vehicle.

This universal CAN tool can be used in development, production, quality control, service departments, prototype build shops and other areas. Next to the targeted automotive application field, this tool provides a powerful test tool for all fields and areas of CAN networks. Diagnostic functionality for on-line and off-line is implemented. The CAT runs on all MS Windows environments (Win 3.1x, Win 9x/ME or Win NT, Windows 2000).



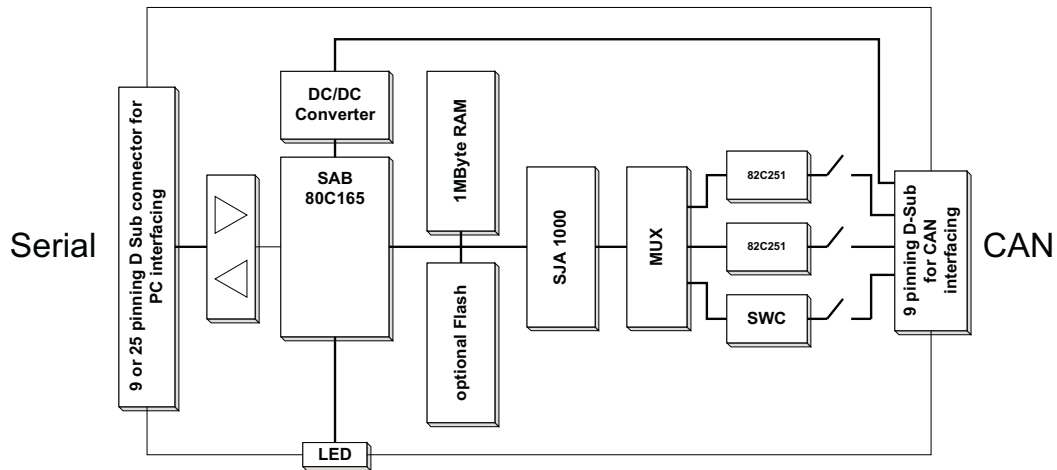
### FEATURES

- 100% busload at 1 MBit/s
- Connects to serial 9-PIN or 25-PIN interfaces
- On-board data (pre-) processing and buffering
- CAN 2.0B active
- Access to 3 buses:     2 x ISO 11898  
                              1 x GM SWCAN
- Fast frame and signal display
- Diagnostic functionality as specified in on-line and off-line mode.

### HIGHLIGHTS

- Monitors and analyzes the CAN Bus
- CAT acquires, stores and displays data coming from the CAN Bus in on-line mode. Logged data can be imported into any spread sheet program (e.g. Excel).
- Allows to transmit user-defined frames.
- Two buffer on board, one for all frames and one for diagnostic frames only.
- A system database contains user defined information about vehicle, ECU, CAN frames and signals. No limit of using system databases.
- Creating and changing of configurations. These configurations will consist of certain displayed frames and signals with symbolic names and engineering units.
- Filtering and triggering (pre and post)

# Can Analyzer Tool



## SPECIFICATIONS

### General Characteristics

- Transfer rate CAN: up to 1 MBit/s
- Transfer rate RS232: up to 115,2 kBaud
- Performance: up to 100% busload at 1 MBit/s
- Physical dimensions: 95,5mm x 41mm x 20mm
- Housing: Plastic
- Power supply: External 8 ... 16 VDC (typ. 70mA)  
via power jack or CAN bus connector
- Power consumption: max. 250 mA at 12VDC
- Temperature range: 0 to +70° C
- Processor type: C165, @ 18,432 MHz
- Memory: 1 MByte SRAM

### Connectors

- Network: 9-pin Sub-Min-D (CiA) or GM specific (extended CiA pinning)
- RS232 25-pin Sub-Min-D for RS232  
9-pin Sub-Min-D for RS232 via adapter cable

### Network protocol interfaces

- Internal: SJA 1000

### Network physical interfaces

- Internal: CAN 1: ISO 11 898 (82C251)
- CAN 2: ISO 11 898 (82C251)
- CAN 3: SWCAN (GMW 3089)

## GENERAL INFORMATION

- Hardware requirements:
  - 486/33 PC, 16 MB RAM, 320 MB HDD, VGA or better
  - Bus cable power
  - RS232 interface
- Windows 3.1x, 9x/ME, NT, 2000

## PRODUCT INCLUDES

### CAT Set

- CAT Hardware
- CAT Software
- CAT Connector Cable Com Port
- Quick installation guide

## ORDERNUMBERS

- IME 3501 401 CAT CAN Analyzer Tool - GM
- IME 3501 402 CAT CAN Analyzer Tool

### Optional:

- IME 3501 701 CAT Connector Cable Com Port
- TGD 3501 702 CAT Development Tool Cable (SubD-9 to DLC 16 - 2m)
- TGD 3501 703 CAT Development Tool Cable (SubD-9 to DLC 16 - 4m)
- TGD 3501 704 CAT Development Tool Cable (Pigtail to DLC 16 - 2m)
- TGD 3501 705 CAT Development Tool Cable (Pigtail to DLC 16 - 4m)
- TGD 3501 706 CAT Development Tool Cable (J1962 Y-Adapter)
- Printed CAT Manual
- Extended Time for CAT Support
- CAT and CAN training classes
- 32 Bit CAT DLL

## ORDERING INFORMATION



CAT Connector Cable Com Port  
Order Nr.: IME 3501701



CAT Development Tool Cable  
Order Nr.: TGD 3501702 length 2 meters  
Order Nr.: TGD 3501703 length 4 meters



CAT Development Tool Cable  
Order Nr.: TGD 3501704 length 2 meters  
Order Nr.: TGD 3501705 length 4 meters



CAT Development Tool Cable Y-Adapter  
Order Nr.: TGD 3501706