

# NetPorty II

**N**etPorty II is a small, intelligent interface between a CAN network and a serial or parallel port with buffering capabilities.

The standard firmware of the NetPorty II is an PC-based monitoring software.

The NetPorty II firmware can be load into RAM or Flash memory. Once stored within the Flash memory, it will be started with power on.

Several software modules allow the programming of user specific applications.

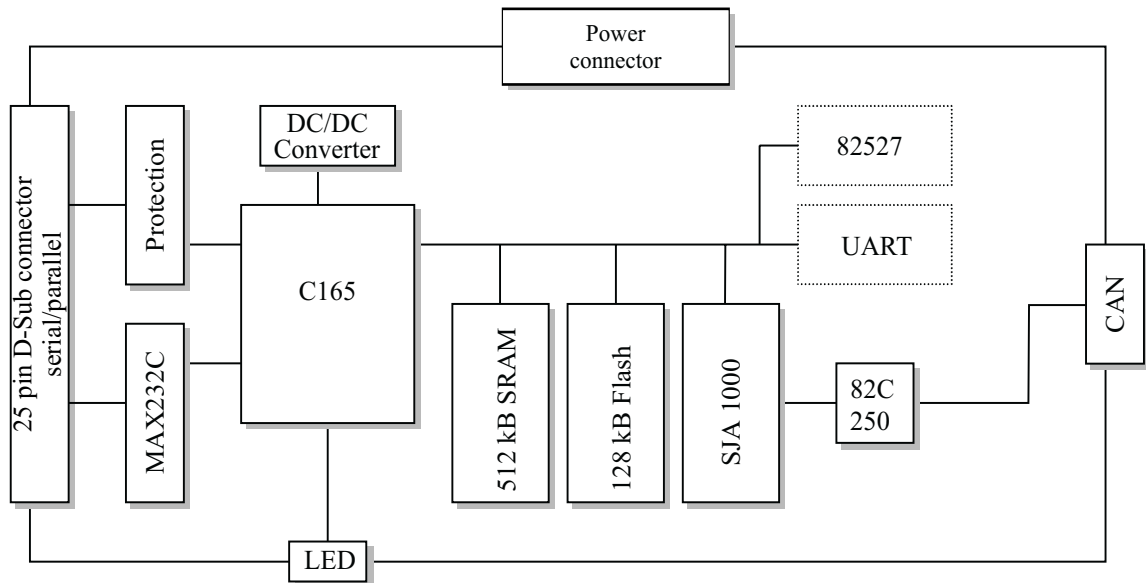


## FEATURES

- Easy interfacing among PCs / laptops or other devices with standard RS232 ports and CAN networks
- On-board data (pre-) processing
- High performed data monitoring
- Program download via RS232 and bootloader options for firmware update
- Application development under Windows 9x and Windows NT for real-time requirements
- Universal hardware platform for real-time network design and test tools

## HIGHLIGHTS

- User friendly boot loader for firmware update
- Big memory onboard (512 kB SRAM) to buffer message bursts on the CAN Bus
- Supports CAN 2.0B active
- Includes PC software PcCANControl that enables the tracing of activities or selecting messages on the network
- LevelX (DLL) for easy programming own complex applications
- Operation modes supported:
  - PC-controlled
  - Stand-alone (optional)
- Cost optimized complete CAN starter pack



## SPECIFICATIONS

### General Characteristics

- Transfer rate CAN: up to 1 MBit/s
- Transfer rate RS232: up to 115,2 kBaud
- Physical dimensions: 95,5mm x 41mm x 20mm
- Housing: Plastic, protection class IP50
- Power supply: External 8..32 VDC, via power jack (reverse polarity protection) via CAN-Bus connector
- Power consumption: max.160 mA at 8 VDC
- Temperature range: 0 to +70° C
- Processor types: C165, @ 18,432 MHz
- Memory: 512 KB (16 Bit) SRAM  
128 KB (8 Bit) Flash  
optional : 512 KB

### Connectors

- Power supply: Mini-socket
- Network: 9-pin Sub-Min-D  
CiA standard
- RS232/Centronics: 25-pin Sub-Min-D for centronics  
9 pin Sub-Min-D for Rs232 via adapter cable

### Network protocol interfaces

- Internal: CAN 1: SJA 1000

### Network physical interfaces

- CAN 1: ISO 11 898 (82C251)
- other on request

## GENERAL INFORMATION

- Hardware requirements:
  - PC-compatible
  - External power supply
  - RS232 interface or centronics interface
- Software requirements:
  - Windows 9x or NT
  - Compiler for software development
- Knowledge requirements for design of own applications :
  - Experience in programming PCs and Microcontrollers (assembly language or C )
  - CAN Network protocols
- Optional software for "Transparent" mode

## PRODUCT INCLUDES

- 1 x NetPorty II
- Adapter cable Centronics to RS232
- Manual
- PcCANControl software and LevelX drivers for Win 9x and NT

## ORDERNUMBERS

- IME 1602 404 Set (incl. driver and documentation on CD)
- IME 1602 201 HW
- IME 1602 601 Manual