

# NetTest III+

**O**ur improved CAN-NetTest III+ portable network tester fills the growing need for mobile testing and diagnostic tools used to maintain and service in-place CAN networks.

Designed specially for hand-held diagnostics and configuration of CAN-based networked components.

NetTest III + is an affordable, robust and mobile alternative to PC-based analysis systems.

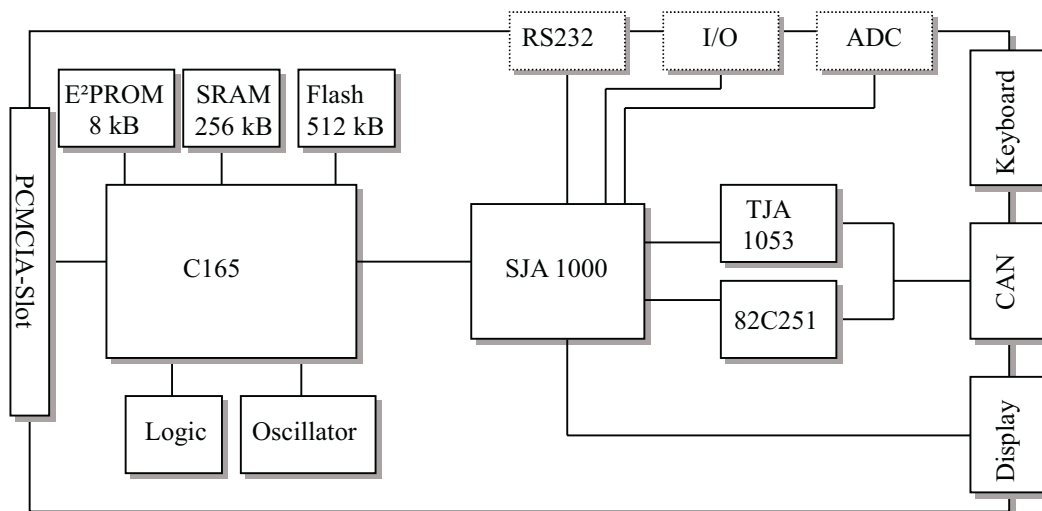


## FEATURES

- Displaying and logging of pre-defined data
- Data visualization by complete defined text
- Transmission of pre- and online defined messages
- BUS-Load and Error counter check
- Ideal analyze tool for industrial or automotive diagnostics
- Two different physical interfaces for high and low speed are available

## HIGHLIGHTS

- Illuminated Graphic LC display with a resolution of 64 x 128 pixel for clear displaying in every situation
- PCMCIA slot for memory cards to store logged data, and for uploading program update
- Ruggedized for rough industrial and automotive environment
- Optional galvanically decoupled CAN interface
- ADC and I/O's available on request
- storage of configurations within the internal flash
- Different tool configuration can be uploaded form the PCMCIA card



## SPECIFICATIONS

- General Characteristics
- Physical dimensions: 100 mm x 119 mm x 45 mm
- Housing: ABS plastic IP30
- Power supply: via 19 pin connector (7,5V-32V)
- Temperature range: -25 to +65° C
- Processor types: C165, @ 36,86 MHz
- Memory: 8 kB Bit EPROM  
256 kB SRAM  
512 kB Flash
- Display: illuminated LCD 64 x 128 pixel  
visible area 62,5 x 43,5 mm
- Keyboard: PET foil with 16 soft keys
- PCMCIA slot: according to Type II

### Connectors

- Power supply: via 19 pin connector
- Network: 9-pin Sub-Min-D CiA standard
- ADC and I/O: 14-pin connector

### Network protocol interfaces

- Internal: SJA 1000

### Network physical interfaces

- Internal: high speed (PCA 82C251)  
and low speed (TJA 1053)

### Optional add-ons

- RS232: for programming and debugging
- I/O's: 1 x analog input  
4 x digital input  
1 x digital output

## GENERAL INFORMATION

- Hardware requirements:
  - PC with PCMCIA drive
  - CAN-bus with power pins
  - SRAM storage card
- Software requirements:
  - Windows 95 or Windows NT
  - Standard Editor e.g. Wordpad
- Knowledge requirements:
  - CAN Network protocols

## PRODUCT INCLUDES

- 1 x NetTest III+
- Manual
- Cable 19 pin to CiA 9 pin sub-D min high speed
- PC-Software for configuration and data logging

## ORDER INFORMATION



case



protection bag



memory cards



cable 1



cable 2+3



cable 4+5



cable 6+7

## ORDER INFORMATION

Orderinformation NetTest III+		
Article	Description	Order No.
<b>NetTest III+</b>		IME 2003402
	incl. Software, usermanual and cable No.4	
<b>cable 1</b>	(special) - NetTest III+ connector cable 19pol. connector to 12pol. female connector, cable lenght 1,5m	IME 2003104
<b>cable 2</b>	(special) - OBDII-cable, red CAN-HighSpeed to OBDII-connector / ISO11898 , cable lenght 0,3 m, to connect on cable 1	IME 2003102
<b>cable 3</b>	(special) - OBDII-cable, blue CAN-LowSpeed to OBDII-connector / TJA1054, cable lenght 0,3 m, to connect on cable 1	IME 2003103
<b>cable 4</b>	CAN-cable HighSpeed, red to DSUB9male-CIA Pinning, cable lenght 1,5 m, to direct connect on Nettest 3+	IME 2003105
<b>cable 5</b>	CAN-Kabel LowSpeed, blue to DSUB9male-CIA Pinning, cable lenght 1,5 m, to direct connect on Nettest 3+	IME 2003106
<b>cable 6</b>	(special) Laboratory measure cable, red CAN-cable lenght 0,3m; Power cable lenght 0,6m CAN-cable HighSpeed to Lab-connector 4mm (Banana-connector), to connect on cable 1	IME 2003108
<b>cable 7</b>	(special) Laboratory measure cable, blue CAN-cable lenght 0,3m; Power cable lenght 0,6m CAN-cable LowSpeed to Lab-connector 4mm (Banana-connector), to connect on cable 1	IME 2003109
<b>cable 8</b>	(Special) K-Line converter CAN-HighSpeed/int. K-Line-interface to OBDII, cable lenght 2m, to direct connect on Nettest 3+	IME 2003710
<b>case</b>		IME 2003706
	Mobil case for NetTest III+ and accessories	
<b>protection bag</b>		IME 2003713
	Small leather bag to protect your Nettest	
<b>memory cards:</b>		
	memory spaces	
	1 MB	TGD 2003701
	2 MB	TGD 2003702
	4 MB	TGD 2003703