

# PCI-IntelliCAN

The PCI-IntelliCAN board is a special design for PCs with PCI slots.

The increasing number of PCI slots and the high demand on real-time networks dominate today's PC world. With the PCI-IntelliCAN, I+ME offers the most powerful hardware solution available for a CAN interface card.

The PCI-IntelliCAN is designed for real-time data acquisition and processing by using a fast 16-bit microcontroller, 8 kB DPRAM, 512 kB SRAM and 128 kB Flash memory.

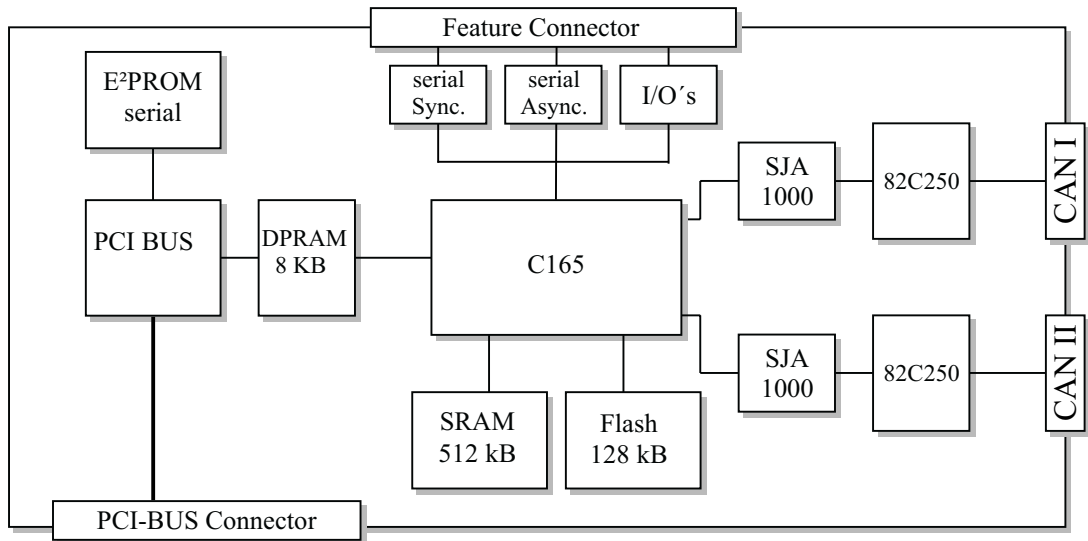


## FEATURES

- Easy interfacing among PCs with PCI and CAN networks
- High performed data monitoring
- On-board data (pre-) processing
- Process data acquisition
- Application development under Windows 9x and Windows NT for real-time requirements
- Universal hardware platform for real-time network design and test tools

## HIGHLIGHTS

- Hardware configuration via PCI software services, plug-and-play
- DPRAM interface for host interfacing
- SRAM for application execution
- Support of 2 channels CAN Part 2.0B active
- Direct access to analog and digital inputs and outputs
- Includes PC software PcCANControl that enables the tracing of activities or selecting messages on the network
- LevelX (DLL) for the easy programming of own complex applications



**SPECIFICATIONS**

**General Characteristics:**

- Physical dimensions: 108 mm x 155 mm
- Power supply: from PC
- Temperature range: 0 to +70° C
- Processor types: C165 @ 20 MHz
- Memory: 8 kB DPRAM 16 bit  
512 kB SRAM 16 bit  
128 kB FlashROM 8 bit  
optional : 512 KB

**Connectors**

- Network: CAN I: 9-pin Sub-Min-D  
CiA standard  
CAN II: 9-pin Sub-Min-D  
CiA standard
- PC PCI-BUS connector
- Feature Connector: PIN-Connector for  
- serial sync.  
- serial async.  
- 4 x digital in/out  
- 5 x dig in  
- optional 8x analog in  
(10 bit resolution; 0 V to 5 V)

**Network protocol interfaces**

- CAN 1 SJA 1000
- CAN 2 SJA 1000

**Network physical interfaces**

- Channel 1: ISO 11 898 (82C250)
- Channel 2: ISO 11 898 (82C250)

**GENERAL INFORMATION**

- Hardware requirements:  
- PC-compatible  
- free PCI-BUS-Slot
- Software requirements:  
- Windows 9x or Windows NT
- Knowledge requirements for design of customer specific applications :  
- Experience in programming PC applications  
- CAN Network protocols
- Download of own microcontroller software is supported.

**PRODUCT INCLUDES**

- PCI-IntelliCAN board
- Manual (on CD)
- PcCANControl monitoring software and LevelX drivers for Win 9x, NT, 2000

**ORDERNUMBERS**

- IME 1401 402 HW incl. driver, PcCANControl and documentation on CD (2 channel)
- IME 1401 202 Hardware only (2 channel)
- IME 1401 601 Manual