



PcSlimLine

The PcSlimLine is a low-cost board for high performance CAN interfacing.

It uses the Philips SJA1000 for CAN and supports all features of this controller.

The board is delivered with drivers for Windows 9x and Windows NT and the application PcCANControl for diagnose the CAN data transfer.

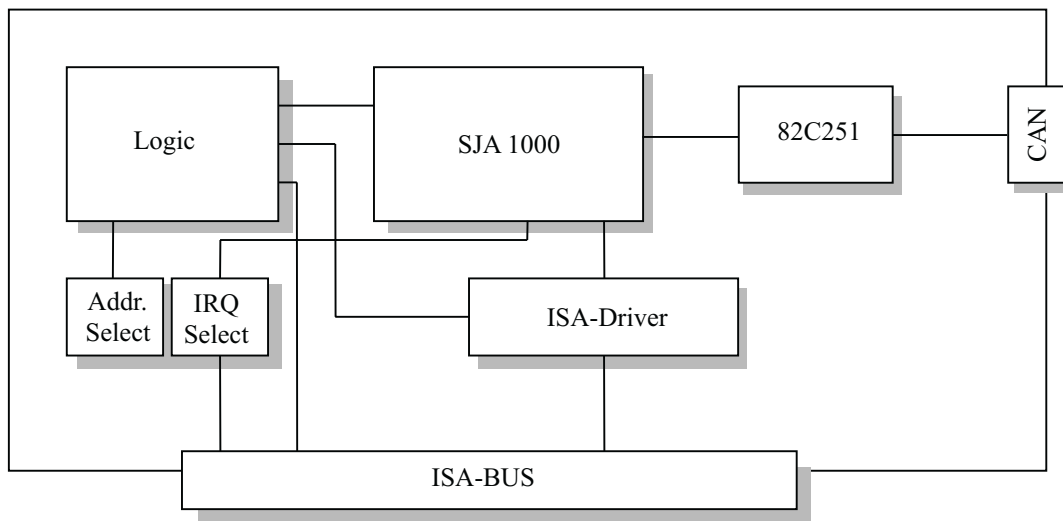


FEATURES

- Easy interfacing among PCs with ISA-Slots and CAN networks
- Easy manipulation of network protocol-chip register through supplied software PcCANControl for 32-bit operating systems.
- Application development under Windows 9x and Windows NT
- High performed data monitoring
- Universal hardware platform for network design and test tools
- No PnP

HIGHLIGHTS

- PeliCAN mode is supported by using SJA 1000
- Supports CAN 2.0 B active
- Ideal platform for developing own application without strong real-time requirements, e.g. visualisation
- Switchable bus termination
- Includes PC software PcCANControl that enables the tracing of activities or selecting messages on the network
- LevelX (DLL) for the easy programming of own complex applications



SPECIFICATIONS

General Characteristics

- Physical dimensions: 162 mm x 42 mm
- Transfer rate: up to 1 MBit/s
- Power supply: via ISA Slot
- Temperature range: 0 to +70° C

Connectors

- Network: 9-pin Sub-Min-D
CiA standard
- PC: standard ISA-BUS, 16-bit

Network protocol interfaces

- Internal: SJA 1000

Network physical interfaces

- Internal: ISO 11 898 (82C251)

Jumpers and DIP switches

- Memory Addresses: C800, CC00, D000, D400,
D800, Dc00 (HEX)
- Interrupts: 3,5,7,9,10,11,12,15

GENERAL INFORMATION

- Hardware requirements:
 - PC-compatible
 - free ISA-Slot
- Software requirements:
 - Windows 9x or Windows NT
- Knowledge requirements for design of own applications :
 - Network protocols

PRODUCT INCLUDES

- 1 PcSlimLine
- Manual
- PcCANControl software and
LevelX drivers for Win 95 and NT.

ORDERNUMBERS

- IME 1007 201 Hardware only
- IME 1007 402 HW incl. driver, PcCANControl and
documentation on CD
- IME 1007 601 Manual (separate book)