

# Blue XS



Prototype

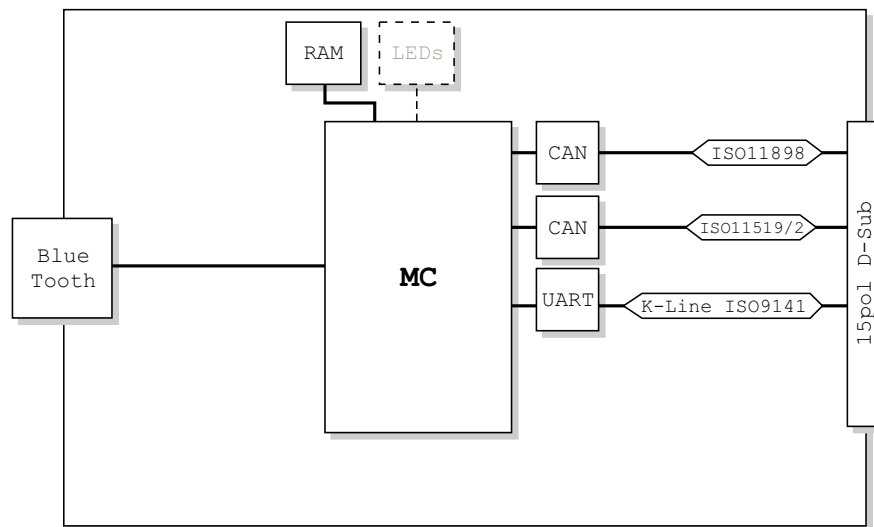
## HIGHLIGHTS

- DLL LevelX for easy programming own complex applications under WINDOWS 9x/2000/NT/CE
- includes "PcCANcontrol" monitor software
- on-board data (pre-)processing
- cost optimized design
- XS Sequencer available
- XS Monitor available

## FEATURES

- CAN to Blue Tooth interface
- CAN 2.0B ISO 11898
- CAN transfer rate up to 1 MBit/s
- K-Line ISO 9141 (100 mA)
- K-Line ISO 14230 (KWP2000)
- on-board memory
- small size / light weight
- on-board 16 bit micro-controller for fast CAN communication

## PERFORMANCES



### Specifications

#### General Characteristics

- dimension: 150 x 68 x 25 mm
- weight: 200 g
- Temp. range: 0 to +55°C
- housing: plastic
- Blue Tooth: 200 g
- power supply: 8..16 VDC
- power consump.: typ. < 100 mA @ 12 VDC
- microcontroller: C165 @ 18.634 MHz
- Memory: 512k\*16 Bit RAM  
512 Byte EEPROM

#### Connectors

- CAN / K-Line 15-pin Sub-Min-D female

#### Network protocol interface

- CAN: CAN 2.0B  
high speed 82C251  
low speed TJA 1054
- K-Line: 2 ISO9141 type 5 K-Line  
control by microcontroller kernel or direct by the  
RS232 interface (both K-Line can be controlled  
by one UART only in parallel) max. sink in current  
at K-Line 100mA

### Product includes

- Blue XS hardware with Blue Tooth interface for RS232
- LevelX-API driver
- PC CAN control (monitoring software)
- documentation on CD

#### On request

- OBD cable
- XS Sequencer application
- XS Monitor application
- additional J1850 VPW interface
- additional J1708 interface
- additional single wire CAN interface (GM W3089) or second CAN high speed interface